



SE4000 Series

SE4000 New Economic HMIs

- ABS+PC enclosure, low cost, high reliability.
- The mainboard is with spray coating treatment, adapt to harsh industrial environment.
- High resolution, high brightness, LED backlight.
- Simple dual communication ports, supporting USB Disk/USB
- Totally new configuration software, rich gallery and powerful function.



•4.3" 480×272 TFT LCD.

• ABS+PC, plastic enclosure and with only 38mm thickness.

• Industrial Isolated Power Supply module, 4 Serial Ports.

• USB 2.0 Device Port and high-speed software downloading.

• USB Host, Supporting USB Disk/USB Keyboard/Mouse expanded device etc.

• The mainboard is with spray coating treatment, adapt to harsh industrial environment.

• Complied with ROHS, CE.

Technical Parameters

Display:	4.3" TFT LCD
Resolution(WxH):	480×272
Colors:	24-bit
Brightness:	420cd/m ²
Backlight:	LED
Backlight Life:	50000 hours
Touch Panel:	4 wires resistive touch screen (Surface hardness 4H)
CPU:	600MHz ARM Cortex A8
Memory:	128M Flash + 128M DDR3
RTC:	Built in
Ethernet:	None
USB Port:	USB Device 2.0*1, USB Host 2.0*1
Download Project	U-disk/USB Device
COM Port:	COM1 : RS232/RS485/RS422 COM3 : RS232

Technical Parameters

0
3

Specifications

Power Consumption	< 5W
Input Power	DC24V, working range DC 9V~28V
Power Protection	Protected from thunder strike and surging
Power Down Allowed:	< 5mS
CE	Complied with EN61000-6-2:2005, EN61000-6-4:2007, CE
RoHS	RoHS, Surge Immunity:±1KV, EFT:±2KV; ESD:4KV, Air:8KV

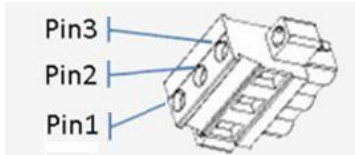
Environment Specifications

Operating Temperature:	0~50C
Storage Temperature:	-20~60C
Operating Humidity:	10~90%RH (no condensate)
Vibration Endurance:	10~25Hz (X、Y、Z direction 2G/30 minutes)

Others :

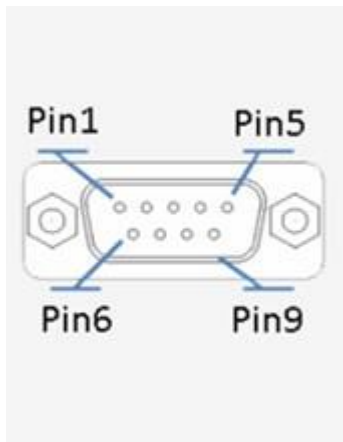
Degree of Protection:	Front IP65(with NEMA panel),Back IP20
Shell Material:	ABS
Panel Cutout:	120×93 (mm)
Dimension:	128×102×32 (mm) (without terminals)
Weight:	About 500g

Power Terminals



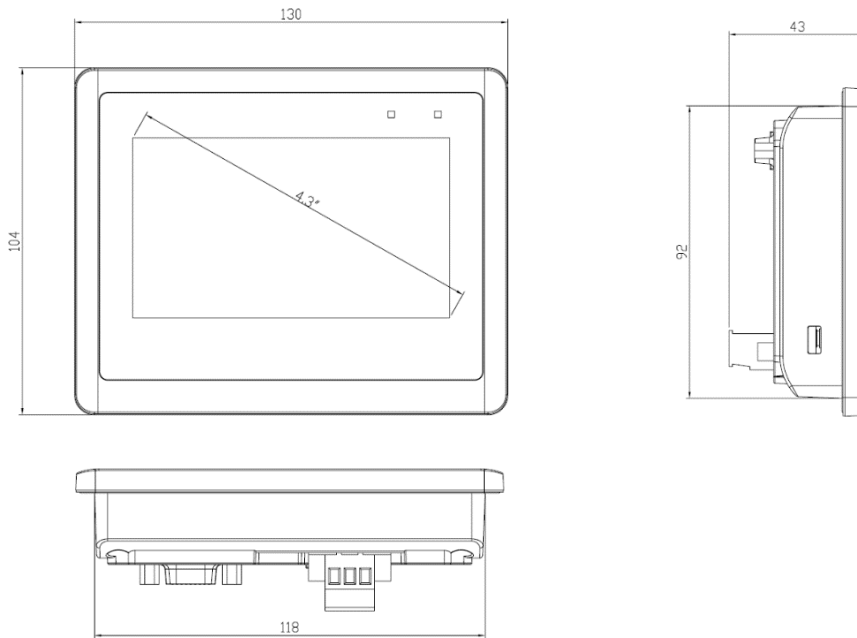
Pin1	DC24V
Pin2	0V
Pin3	FG

COM1/COM3 Communication Ports (Male)



Pin1	Rx-(B)
Pin2	RxD_PLC (COM1 RS232)
Pin3	TxD_PLC (COM1 RS232)
Pin4	Tx+
Pin5	GND
Pin6	Rx+(A)
Pin7	RxD_PC/PLC (COM3 RS232)
Pin8	TxD_PC/PLC (COM3 RS232)
Pin9	Tx+

Dimension



Hole Dimension

