



SE4000 Series

SE4000 New Economic HMIs

- ABS+PC enclosure, low cost, high reliability.
- The mainboard is with spray coating treatment, adapt to harsh industrial environment.
- High resolution, high brightness, LED backlight.
- Simple dual communication ports, supporting USB Disk/USB
- Totally new configuration software, rich gallery and powerful function.



- 9.7" 1024×768 TFT LCD.
- ABS+PC, plastic enclosure and with only 38mm thickness.
- Industrial Isolated Power Supply module, 4 Serial Ports.
- USB 2.0 Device Port and high-speed software downloading.
- USB Host, Supporting USB Disk/USB Keyboard/Mouse expanded device etc.
- SD Card supporting.
- The mainboard is with spray coating treatment, adapt to harsh industrial environment.
- Complied with ROHS, CE.

Technical Parameters

Display:	9.7" TFT LCD
Resolution(WxH):	1024×768
Colors:	16-bit colors
Brightness:	350cd/m ²
Backlight:	LED
Backlight Life:	50000 hours
Touch Panel:	4 wires resistive touch screen (Surface hardness 4H)
CPU:	600MHz ARM Cortex A8
Memory:	128MB Flash + 128MB DDR3
RTC:	Built in
Ethernet:	None
USB Port:	USB Device 2.0*1, USB Host 2.0*1
Download Project:	U-disk/USB Device
COM Port:	COM1 : RS232/RS485/RS422 COM3 : RS232

Technical Parameters

0
3

Specifications

Power Consumption	< 10W
Input Power	DC24V, working range DC 9V~28V
Power Protection	Protected from thunderstrike and surging
Power Down Allowed:	< 5mS
CE	Complied with EN61000-6-2:2005, EN61000-6-4:2007,CE
RoHS	RoHS, Surge Immunity:±1KV, EFT:±2KV; ESD:4KV, Air:8KV

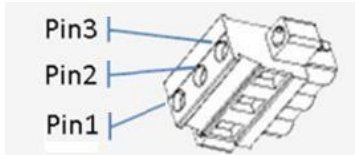
Environment Specifications

Operating Temperature:	0~50C
Storage Temperature:	-20~60C
Operating Humidity:	10~90%RH (no condensate)
Vibration Endurance:	10~25Hz (X、Y、Z direction 2G/30 minutes)

Others :

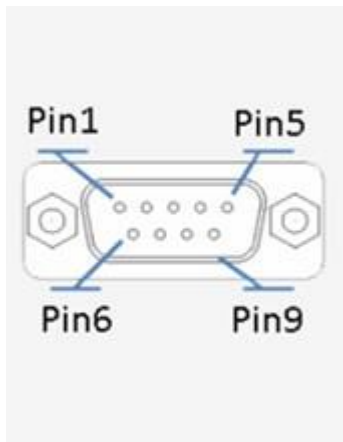
Degree of Protection:	Front IP65(with NEMA panel),Back IP20
Shell Material:	ABS
Panel Cutout:	259×201 (mm)
Dimension:	276×213×39 (mm) (without terminals)
Weight:	About 1000g

Power Terminals



Pin1	DC24V
Pin2	0V
Pin3	FG

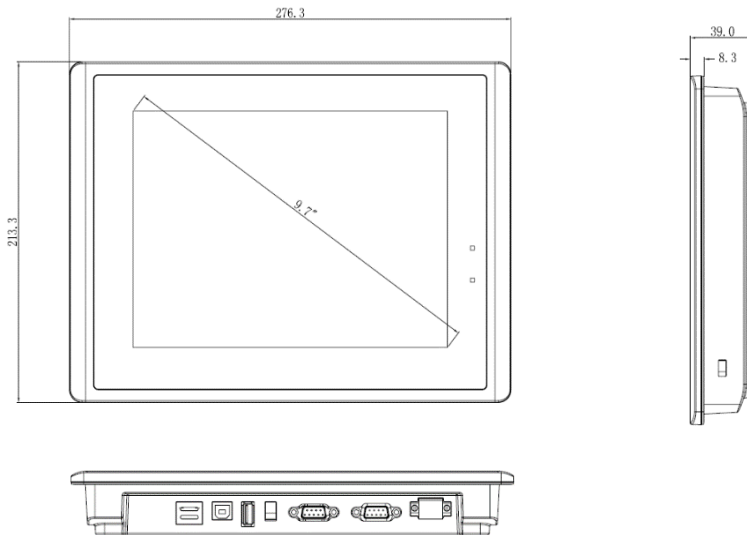
COM1/COM3 Communication Ports (Male)



Pin1	Rx-(B)
Pin2	RxD_PLC (COM1 RS232)
Pin3	TxD_PLC (COM1 RS232)
Pin4	Tx+
Pin5	GND
Pin6	Rx+(A)
Pin7	RxD_PC/PLC (COM3 RS232)
Pin8	TxD_PC/PLC (COM3 RS232)
Pin9	Tx+

Dimension

Dimension



Hole Dimension

