



SE5000

SE5000 Multi-touch Capacitive HMIs

- ❑ Multi-touch capacitive HMI, nimble touch, better light transmittance, anti-scratch, no drift
- ❑ Multi-gesture is supported, more friendly man-machine interactive experience
- ❑ High resolution, high brightness, IPS full view
- ❑ New configuration software with rich gallery and more powerful function



- Projected capacitive, multi-touch Glass+Glass touch screen.
- 22inch 1920*1080 IPS LCD, high brightness, high contrast ratio, full viewing angle.
- Aluminum panel, metal frame, exquisite and metallic appearance, with only 31mm thickness.
- Industrial isolation power supply, spray coating treatment and applicable to various harsh environment.
- SD card Supporting.
- USB Device 2.0, high speed software downloading.
- USB Host: Supporting USB Disk/USB Keyboard/Mouse expanded device etc.
- Complied with RoHS certification.

Technical Parameters

Display:	22" TFT LCD
Resolution(W x H):	1920×1080
Colors:	16-bit colors
Brightness:	250cd/m ²
Backlight:	LED
Backlight Life:	50000 hours
Touch Panel:	Glass+ glass multi-touch capacitive HMI
CPU:	800MHz ARM Cortex A8
Memory:	256MB Flash + 256MB DDR3
RTC:	Built in
Ethernet :	10M/100M Ethernet
USB Port:	USB Device 2.0*1, USB Host 2.0*1
Download Project:	U-disk/USB Device/Ethernet
COM Port:	COM1/COM2 : RS232/RS485/RS422 ; COM3 : RS232

Electrical Specifications

Power Consumption	< 20W
Input Power	DC24V, Input Range: DC 18V~28V
Power Protection	Protected from thunderstrike and surging
Power Down Allowed	< 5mS
CE	CE, complied with EN61000-6-2:2005, EN61000-6-4:2007
RoHS	Complied with RoHS; Surge Immunity: $\pm 1KV$, EFT: $\pm 2KV$; ESD:4KV, Air:8KV

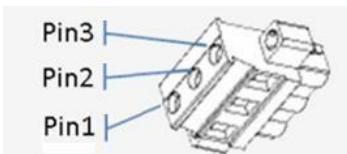
Others

Operation Temperature	-10~60°C
Storage Temperature	-20~70°C
Operating Humidity	10~90%RH(No condensation)
Vibration Endurance	10~25Hz (X/Y/Z 2G/30Min)
Cooling	Natural air cooling

Environment Specifications

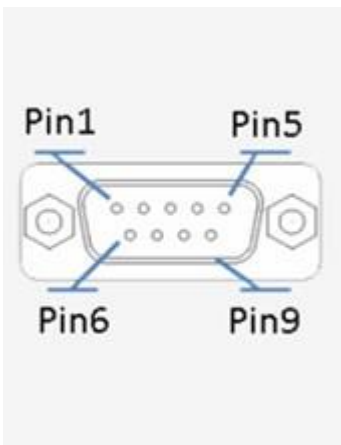
Degree of Protection	Front IP65(with NEMA panel),Back IP20
Shell Material	Front cover made by aluminum, and the surface with hard oxide treatment; Back cover made by galvanized sheet and the surface with dry spray treatment
Installation	Wall mounting Installation
Dimension	530×338×61(mm)
Weight	About 6300g

Power



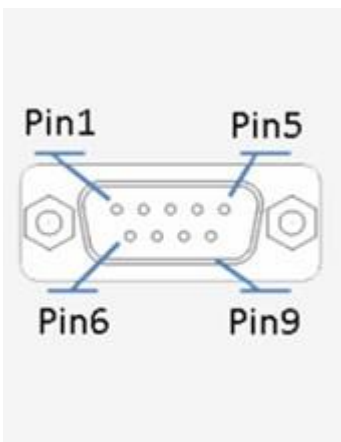
Pin1	DC24V
Pin2	0V
Pin3	FG

COM1/COM3 (9DB)



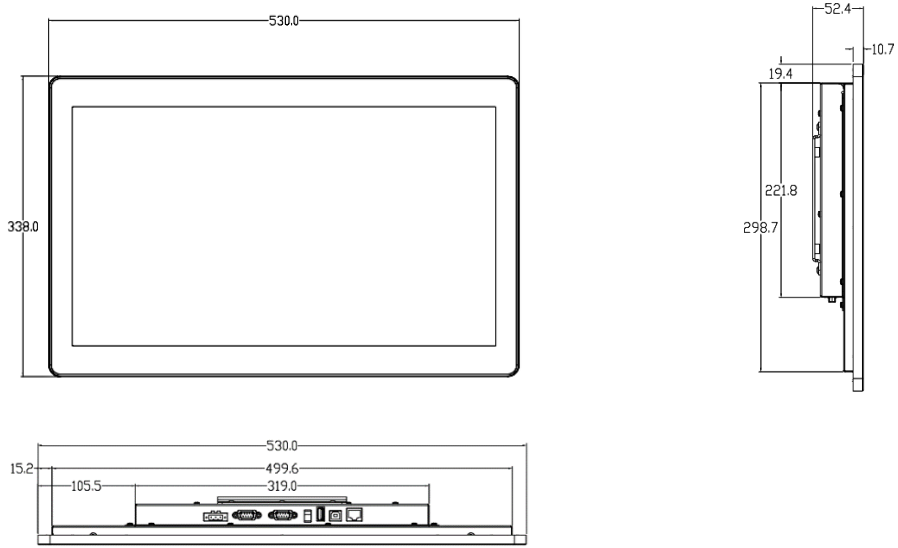
Pin1	Rx-(B)
Pin2	RxD_PLC (COM1 RS232)
Pin3	TxD_PLC (COM1 RS232)
Pin4	Tx-
Pin5	GND
Pin6	Rx+(A)
Pin7	RxD_PC/PLC (COM3 RS232)
Pin8	TxD_PC/PLC (COM3 RS232)

COM2/COM4 (9DB)



Pin1	Rx-(B)
Pin2	RxD_PLC (COM2 RS232)
Pin3	TxD_PLC (COM2 RS232)
Pin4	Tx-
Pin5	GND
Pin6	Rx+(A)
Pin7	-----
Pin8	-----
Pin9	Tx+

Dimension



Wall Mounting

