



S0 Economic Capacitive HMI

- Projected capacitive, multi-touch Glass+Glass touch screen.
- high brightness, high contrast ratio, full viewing angle.
- Industrial isolation power supply, spray coating treatment and applicable to various harsh environment.
- Photoelectricity isolation communication ports.



- * Perfect experience and multi- touch.
- * Humanistic man-computer connection and easy-to-use configuration software.
- * Patented anti-shedding structure.
- * Patented auto-lock settings.

Hardware

| | |
|--------------------|---|
| Display | 9.7"4:3 TFT LCD |
| Resolution(W×H) | 1024×768 |
| Colors | 24 bit color |
| Brightness | 350 cd/m ² |
| Backlight | LED |
| Backlight Life | 50000 Hrs |
| Touch Panel | Glass+Glass projective multi-touch capacitive HMI |
| CPU | 600MHz ARM Cortex-A8 |
| Memory | 128MB Flash + 128MB DDR3 |
| RTC | Built in |
| Ethernet | 10M/100M Ethernet |
| SD Card Connection | Available |
| USB Port | 1 USB Device 2.0,1 USB Host 2.0 |
| Download Project | USB Device/Ethernet/u-disk |
| Com Port | COM1: RS232/RS485/RS422 |
| | COM2/COM4:RS485 |
| | COM3: RS232 |

Electrical Specifications

| | |
|--------------------|--|
| Power Consumption | < 6W |
| Input Power | DC24V, Input Range: DC 9V~28V |
| Power Protection | Protected from thunderstrike and surging |
| Power Down Allowed | < 3mS |
| CE & RoHS | Complied with EN61000-6-2:2005, EN61000-6-4:2007,CE RoHS,Surge Immunity:±1KV, EFT:±2KV, ESD:4KV, Air:8KV |

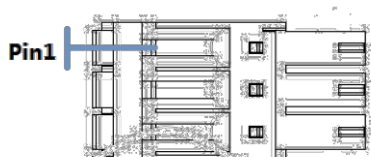
Environment Specifications

| | |
|-----------------------|----------------------------|
| Operating Temperature | -10~60C |
| Storage Temperature | -20~70C |
| Operating Humidity | 10~90%RH (No condensation) |
| Vibration Endurance | 10~25Hz (X/Y/Z 2G/30Min) |
| Cooling | Natural cooling |

Others

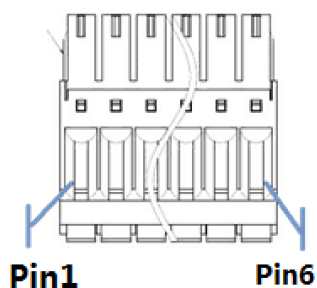
| | |
|----------------------|--|
| Degree of Protection | Front IP65 (with NEMA panel) , Back IP20 |
| Shell Material | ABS+PC |
| Panel Cutout(W×H) | 230mm×180mm |
| Dimension | 247mm×197mm×31.5mm |
| Weight | About 1000g |

Power Terminals



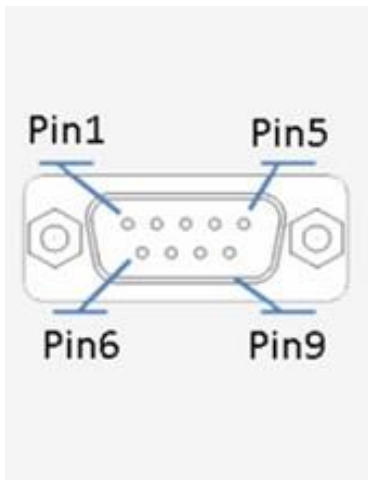
| | |
|------|-------|
| Pin1 | FG |
| Pin2 | GND |
| Pin3 | DC24V |

COM2/COM4



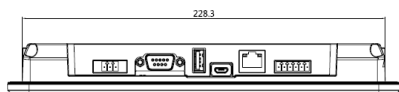
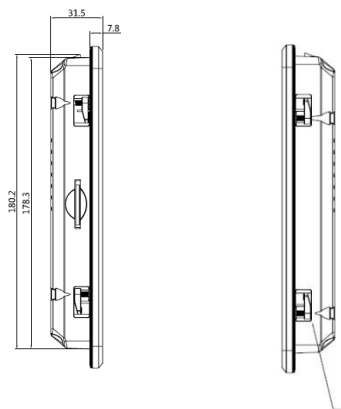
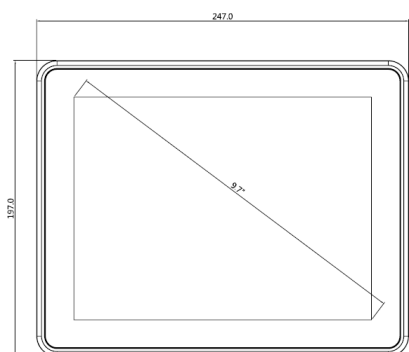
| | |
|------|----------|
| Pin1 | A+(COM2) |
| Pin2 | B-(COM2) |
| Pin3 | GND |
| Pin4 | A+(COM4) |
| Pin5 | B-(COM4) |
| Pin6 | GND |

COM1/COM3(9DB Male Ports)



| | |
|------|------------------|
| Pin1 | Rx-(B) |
| Pin2 | RxD (COM1 RS232) |
| Pin3 | TxD (COM1 RS232) |
| Pin4 | Tx- |
| Pin5 | GND |
| Pin6 | Rx+(A) |
| Pin7 | RxD (COM3 RS232) |
| Pin8 | TxD (COM3 RS232) |
| Pin9 | Tx+ |

Mechanical Dimension



Cutout Dimension

