



SE4000 Series

SE4000 New Economic HMIs

- ABS+PC enclosure, low cost, high reliability.
- The mainboard is with spray coating treatment, adapt to harsh industrial environment.
- High resolution, high brightness, LED backlight.
- Simple dual communication ports, supporting USB Disk/USB
- Totally new configuration software, rich gallery and powerful function.



- 7.0" 800×480 TFT LCD.
- ABS+PC, plastic enclosure and with only 38mm thickness.
- Industrial Isolated Power Supply module, 4 Serial Ports.
- USB 2.0 Device Port and high-speed software downloading.
- USB Host, Supporting USB Disk/USB Keyboard/Mouse expanded device etc.
- SD Card supporting.
- The mainboard is with spray coating treatment, adapt to harsh industrial environment.
- Complied with ROHS.

Technical Parameters

Display:	7" TFT LCD
Resolution(W x H):	800×480
Colors:	24-bit
Brightness:	300 cd/m ²
Backlight Life:	LED
LCD :	50000 hours
Touch Panel:	4 wires resistive touch screen (Surface hardness 4H)
CPU:	600MHz ARM Cortex A8
Memory:	128M Flash + 128M DDR3
RTC:	Built in
Ethernet:	10M/100M ethernet
USB Port:	USB Device 2.0*1, USB Host 2.0*1
Project Downloading:	USB Host/USB Device/Ethernet
COM Port:	COM1/COM2: RS232/RS485/RS422 ; COM3/COM4: RS232

Technical Parameters

Specifications

Rated Power	< 10W
Rated Voltage	DC24V, working range DC 9V~28V
Power Protection	Isolated power
Power Down Allowed:	< 5mS
CE	Complied with EN61000-6-2:2005, EN61000-6-4:2007
RoHS	RoHS, Surge Immunity:±4KV, EFT:±4KV; ESD:4KV, Air:8KV

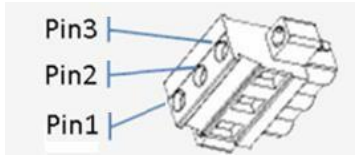
Environment Specifications

Operating Temperature:	0~50C
Storage Temperature:	-20~60C
Operation Humidity:	10~90%RH (no condensate)
Vibration Endurance:	10~25Hz (X、Y、Z direction 2G/30 minutes)

Others :

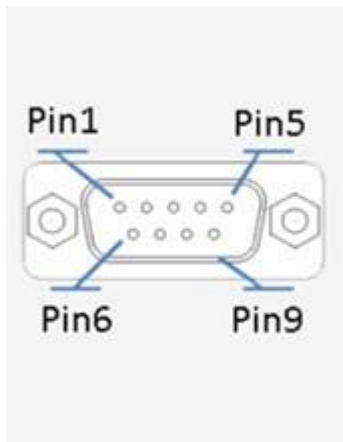
Degree of Protection:	Front IP65(with NEMA panel),Back IP20
Shell Material:	ABS+PC
Panel Cutout:	192×138 (mm)
Dimension:	204×145×44.5 (mm) (without terminals)
Weight:	Around 650g

Power Terminals



Pin1	DC24V
Pin2	0V
Pin3	FG

COM1/COM3 Communication Ports (Male)

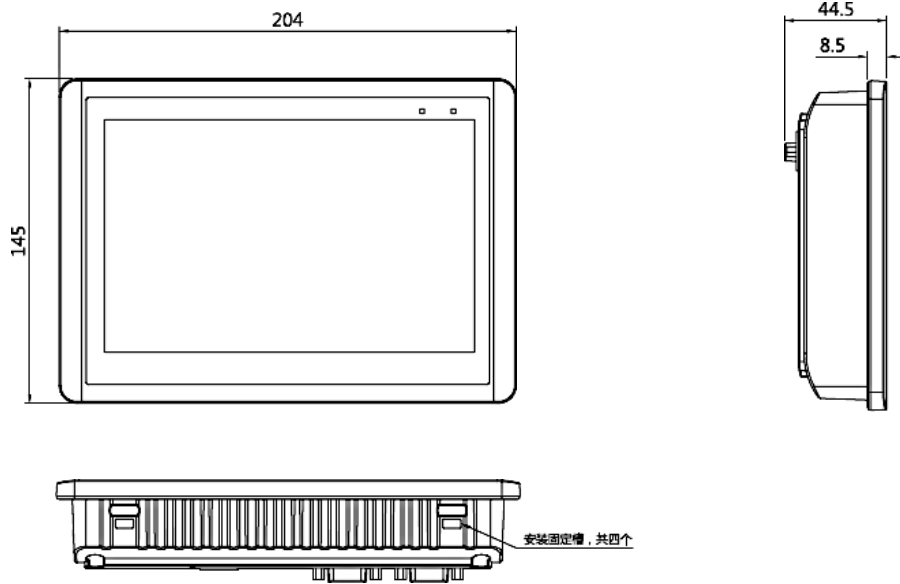


Pin1	Rx-(B)
Pin2	RxD_PLC (COM1 RS232)
Pin3	TxD_PLC (COM1 RS232)
Pin4	Tx+
Pin5	GND
Pin6	Rx+(A)
Pin7	RxD_PC/PLC (COM3 RS232)
Pin8	TxD_PC/PLC (COM3 RS232)
Pin9	Tx+

Dimension

05

Dimension



Hole Dimension

